

DX Family new member DX25TG59-04

**Model:DX25TG59-04
(Upgraded old model DX25TG09-04)**



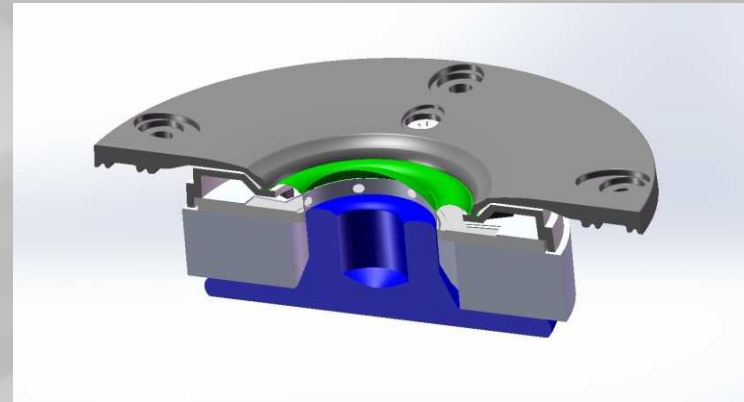
PRESENTATION OUTLINE

1.INTRODUCTION

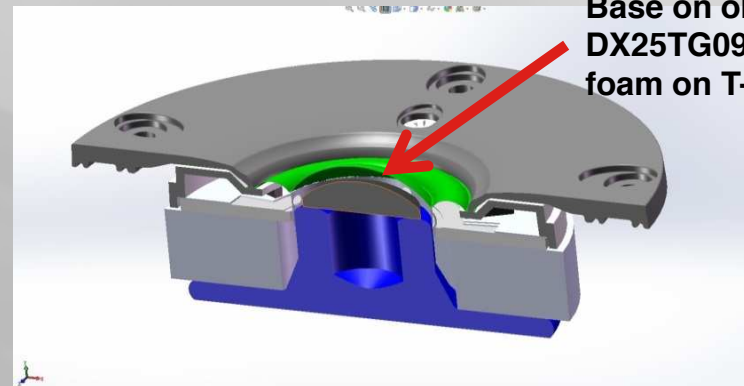
- ❖ We add a foam on T-yoke base on DX25TG09-04 to improve the dips on 17K,and create a new model DX25TG59-04 to replace the old model.

2.Assembly drawings

- ❖ Old model :DX25TG09-04

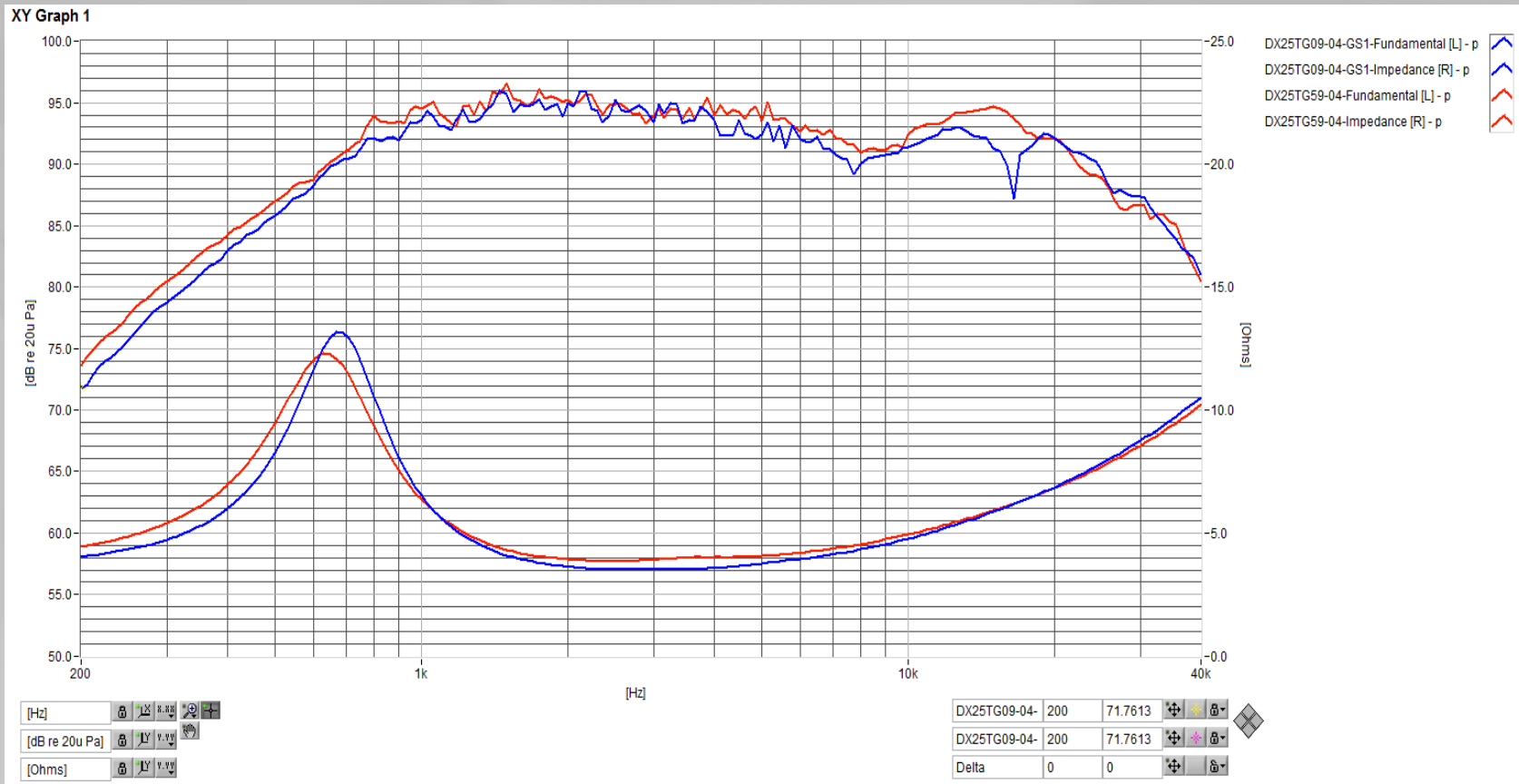


- ❖ Upgraded model :DX25TG59-04



3. Test curves

- ❖ Old model :DX25TG09-04(Blue curves)
- ❖ Upgraded model :DX25TG59-04(Red curves)



4. Measurement

- ❖ Old model :DX25TG09-04
- ❖ Upgraded model :DX25TG59-04

Parameters	DX25TG09-04	DX25TG59-04
RMSE-free Ohms	0.435	0.344
Fs Hz	679.404	659.487
Re Ohms[dc]	3.064	3.042
Res Ohms	10.419	11.431
Qms	2.43	2.55
Qes	0.715	0.679
Qts	0.552	0.536
L1 mH	0.02	0.021
L2 mH	0.029	0.028
R2 Ohms	2.337	1.627
RMSE-load Ohms	0	0
Vas(Sd) liters	0.014	0.016
Mms(Sd) grams	0.363	0.364
Cms(Sd) æM/Newton	151.015	159.935
Bl(Sd) Tesla-M	2.579	2.601
SPLref(Sd) dB	89.836	90.245
Rub-index	0.057	0.032

5. CONCLUSIONS

The new model DX25TG59-04 is better than the old model.

We will replace the old model with upgraded model DX25TG59-04.